



## FIXED BULLET CAMERA QUICK START GUIDE

HD Analog 2MP/5MP/8MP Cameras

HD-TVI / CVI / AHD / CVBS



### CONTENTS

1

- 2 Introduction
- 3 Safety Instructions
- 4 Installation
- 5 Setup Diagram
- 6 Package Contents
- 7 Resources

### INTRODUCTION

2

Thank you for purchasing our product. We make every effort to update and ensure accuracy of the information contained in this manual, which may be subject to change from time to time without prior notice. For any questions or needs, please feel free to contact us at any time.

### SAFETY INSTRUCTIONS

3

- 1) Please comply with the power supply specifications as required for this equipment and select the correct power supply.
- 2) In the case that equipment fails to operate properly, immediately contact the manufacturer or the nearest service center. Please do not attempt to disassemble the product or attempt to modify the product in any manner, which may void warranty.
- 3) For cleaning of the lens, be sure to use compressed air or a dedicated lens cleaner. For cleaning of the plastic shield, use a soft and dry microfiber cloth to wipe it. Do not use any detergents containing alcohol or benzene.
- 4) Do not drop any object onto the device or knock heavy objects onto the equipment.
- 5) Do not put the camera toward any strong light source (including lighting lamp or sun) which may cause over-exposure or light leakage (not due to defect of the product) and impair useful life of the camera.
- 6) Avoid use of the equipment in any environment other than as suggested in this manual.
- 7) Prevent water or any other liquid from flowing into the equipment.
- 8) For replacement of any parts, contact the distributor. Changing any parts in the device without authorization is not permitted and may void warranty.

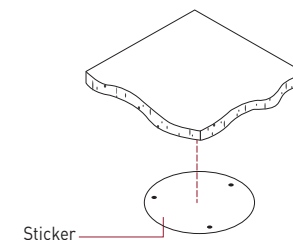
### OPERATING ENVIRONMENT

Power Supply	DC12V±10%
Temperature	-30°C~60°C
Humidity	10%~95%
Altitude	-60m~3000m
Atmosphere	86kpa~106kpa

### INSTALLATION

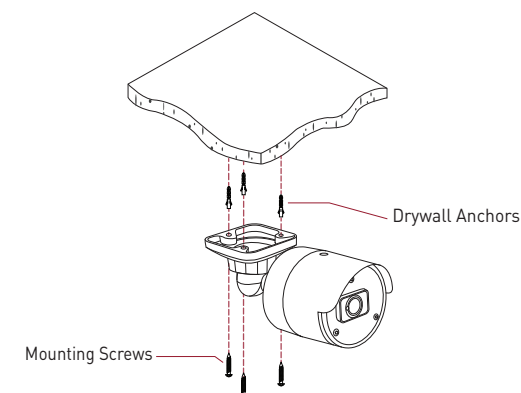
4

1. Place mounting template sticker in area where you will be mounting camera to surface that can sustain weight of camera.

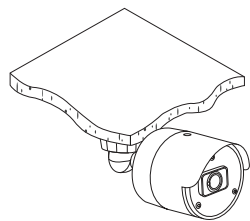


2. For Ceiling Mounting, drill into ceiling at marked drill holes deep enough to accommodate for mounting hardware.

- If using the included hardware, insert the three drywall anchors into holes in the mounting surface and align holes in camera mounting plate with anchors. Then use included screws to secure mounting plate and camera to ceiling.

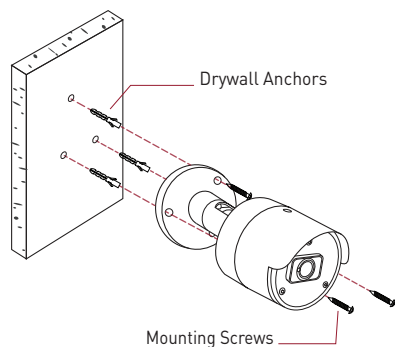


3. Ceiling Mounting complete.

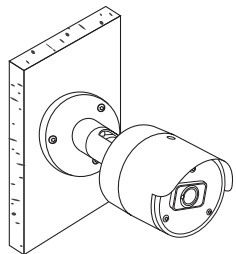


4. For Wall Mounting, drill into wall at marked drill holes deep enough to accommodate for mounting hardware.

- If using the included hardware, insert the three drywall anchors into holes in the mounting surface and align holes in camera mounting plate with anchors. Then use included screws to secure mounting plate and camera to wall.

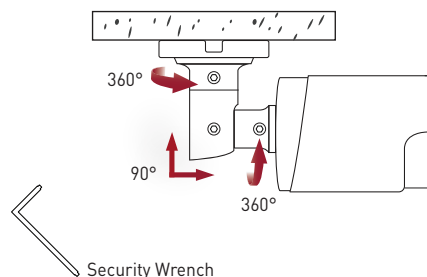


5. Wall Mounting complete.



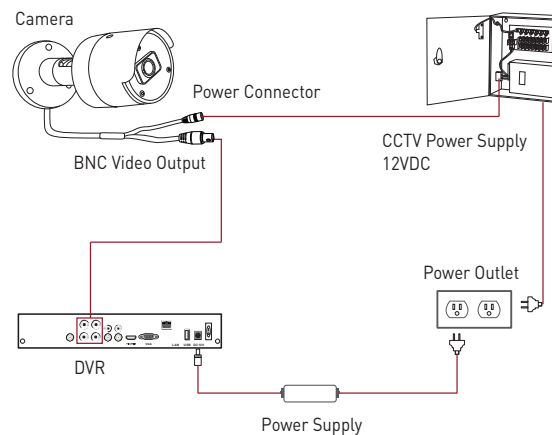
6. Bracket Adjustments

- Using the included security wrench, you can loosen the three bracket screws to make adjustments to the pan, tilt, and rotation of the camera lens and body to allow for the best possible view for your application. Once you have positioned the camera in the orientation that works best for you, use the security wrench to tighten the bracket screws.



SETUP DIAGRAM

5

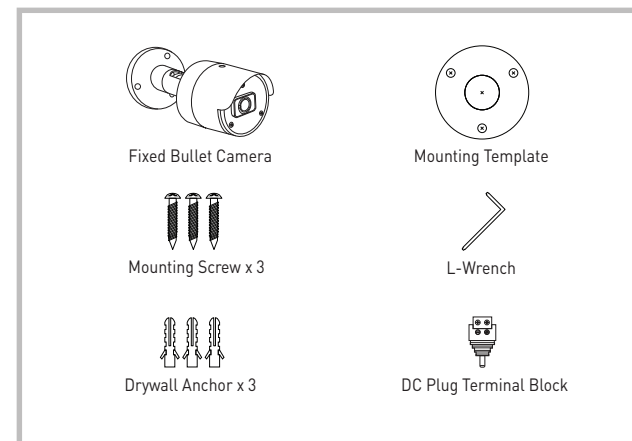


CAUTION

PLEASE CONFIRM THAT VOLTAGE OF POWER SUPPLY USED MATCHES POWER REQUIRED BY CAMERA, OTHERWISE PERMANENT DAMAGE OR RISK OF FIRE MAY OCCUR

PACKAGE CONTENTS

6

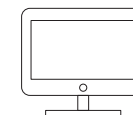


RESOURCES

7

Need help?

Visit us online for up-to-date software and complete instruction manuals.



- 1) Visit [www.avycon.com](http://www.avycon.com)
- 2) Search for the model number of your product.
- 3) Click on your product and find appropriate documents on product page.

Technical Support E-mail : [support@avycon.com](mailto:support@avycon.com)  
 Technical Support Website : [www.avycon.com](http://www.avycon.com)  
 US Helpdesk Number : 1 (949) 752-7606  
 Toll Free Number (Canada) : 1 (888) 833-4611  
 [M-F, 6am-5pm PST]